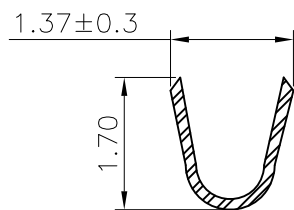
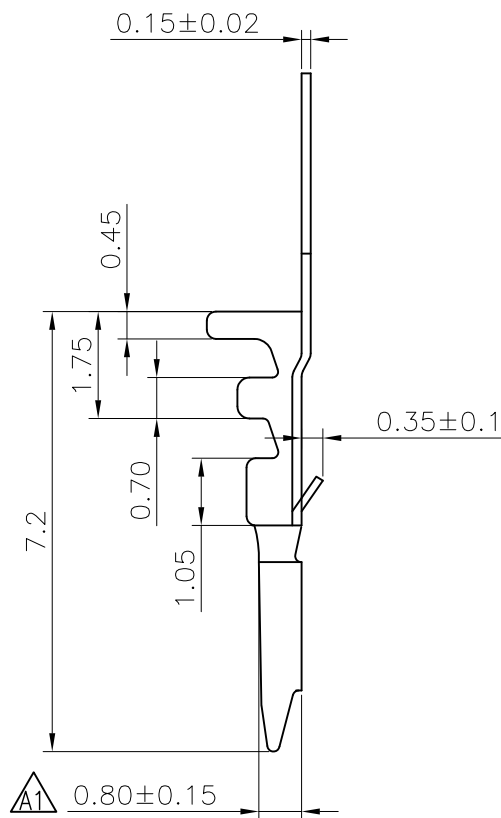
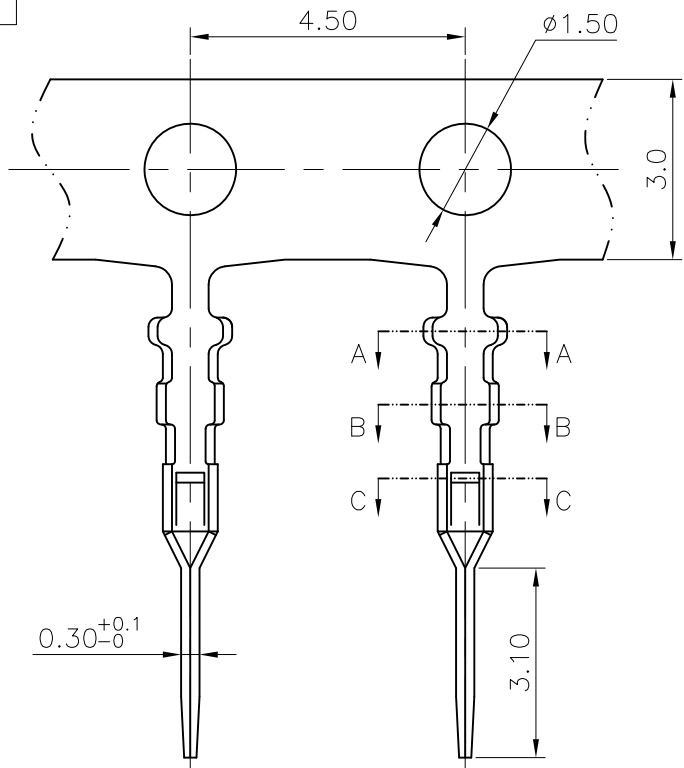
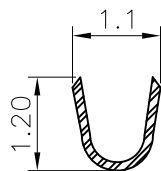


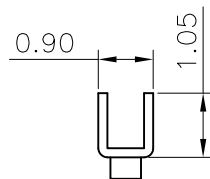
RoHS
COMPLIANT



SECTION A-A



SECTION B-B



SECTION C-C

◆ SPECIFICATIONS

- Current rating: 1A AC, DC
- Voltage rating: 125V AC,DC
- Temperature range: -40°C ~ +105°C
- Insulation resistance: 100MΩ Min.
- Withstanding voltage: 250V AC/ minute.
- Contact resistance: 20mΩ Max.

Material: Phosphor Bronze

Plating: Tin plated over Nickel

Applicable wire:

AWG#28~#32

Insulation O.D. 1.00mm Max.

Suitable: KR1251 series Housing

Q'ty: 20,000PCS/Reel

F		Uniformly arrange the drawings	Shen	2021.08.30	TOLERANCE X.X ±0.3 X.XX ±0.2 X.XXX ±0.1 Angle ±2°	TITLE: MX1.25 Air docking Terminal		DRAWN: Shen 2021.08.30		KONNRA 东莞市康瑞电子有限公司 DongGuan Konnra Electronics Co.,Ltd.					
		Change the part number and frame format	TLX	2020.05.09				CHECKED:					APPROVED:		
	MARK	REVISION DESCRIPTION	SIGNATURE	DATE				UNIT:mm	SCALE:1/1	SHEET:1/1	PROJECTION	REV.:A3	DRAWING NO.:1251T01-A-S		
	1	2	3	4				5	6	7	8	9			