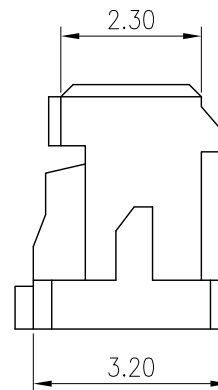
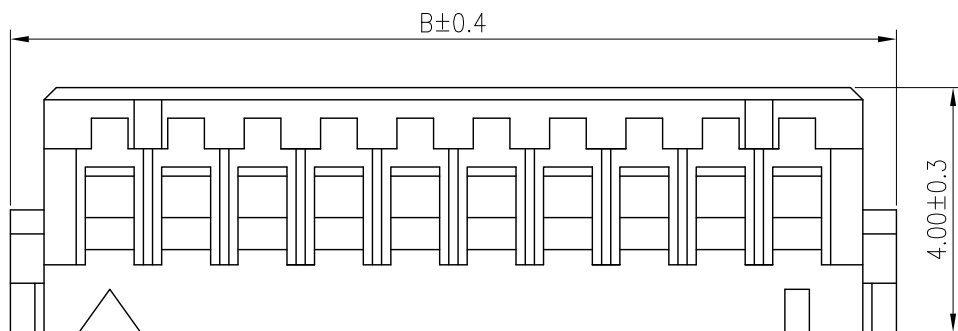
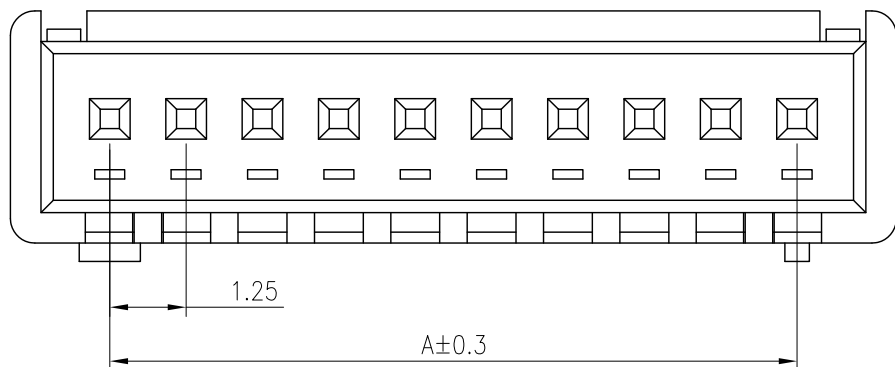


RoHS
COMPLIANT



SPECIFICATIONS

1. Current rating: 1A AC, DC
2. Voltage rating: 150V AC,DC
3. Temperature range: -40°C ~ +105°C
4. Insulation resistance: 100MΩ Min.
5. Withstanding voltage: 500V AC/ minute.
6. Contact resistance: 30m Ω Max.

Material: PA66 UL 94V-0
Suitable KR1256 series terminal
Mate with KR1256 series wafer

Ordering Code:

H12560 *** 19 01A

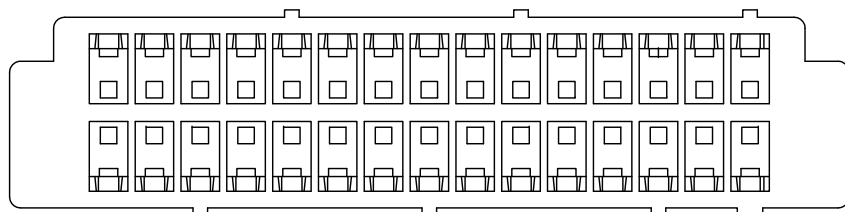
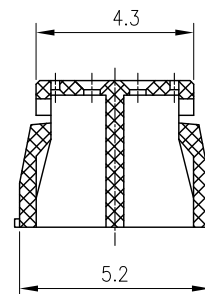
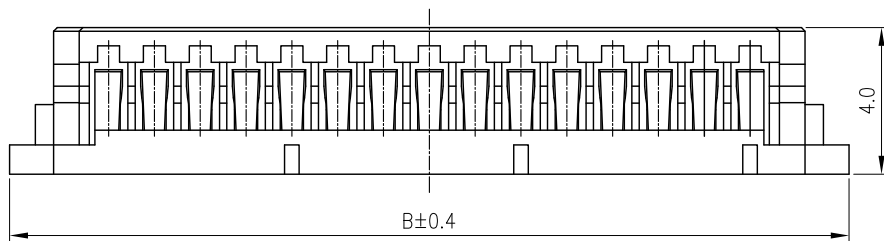
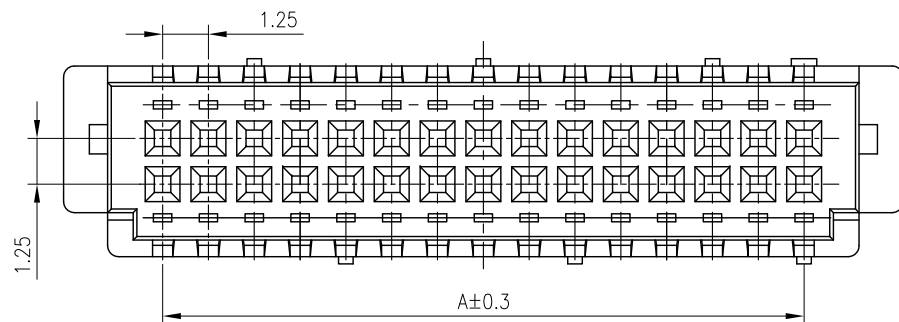
No. of Circuits
102:2,115:15

Insulator Material
19:PA66 Grey V0

Circuits	Dimensions		Circuits	Dimensions	
	A	B		A	B
2	1.25	4.15	11	12.50	15.40
3	2.50	5.40	12	13.75	16.65
4	3.75	6.65	13	15.00	17.90
5	5.00	7.90	14	16.25	19.15
6	6.25	9.15	15	17.50	20.40
7	7.50	10.40			
8	8.75	11.65			
9	10.00	12.90			
10	11.25	14.15			

F		Uniformly arrange the drawings	Shen	2021.08.31	TOLERANCE X.X ±0.30 X.XX ±0.20 X.XXX ±0.10 Angle ±2°	TITLE: DF13 Housing A Type	DRAWN: <i>Liujiqian 2020.04.01</i>		KONNRA 东莞市康瑞电子有限公司 DongGuan Konnra Electronics Co.,Ltd. PART NO.: H12560***1901A REV.: A3 DRAWING NO.: 1256H101-A-S					
		Change the part number and frame format	LJT	2020.04.01			CHECKED:							
	MARK		REVISION DESCRIPTION	SIGNATURE			DATE	APPROVED:				SHEET: 1/1	PROJECTION	
	1	2	3	4			UNIT:mm	SCALE:N/A				5	6	7

RoHS
COMPLIANT



SPECIFICATIONS

1. Current rating: 1A AC, DC
2. Voltage rating: 150V AC,DC
3. Temperature range: -40°C ~ +105°C
4. Insulation resistance: 500MΩ Min.
5. Withstanding voltage: 500V AC/ minute.
6. Contact resistance: 30mΩ Max.

Material: PA66 UL 94V-0
Suitable KR1256 series terminal
Mate with KR1256 series wafer

Ordering Code:

H12560 *** 19 01B

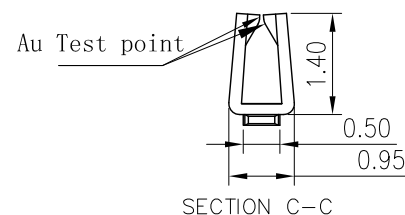
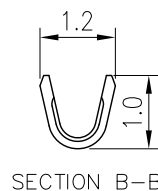
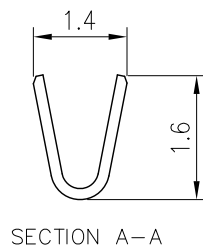
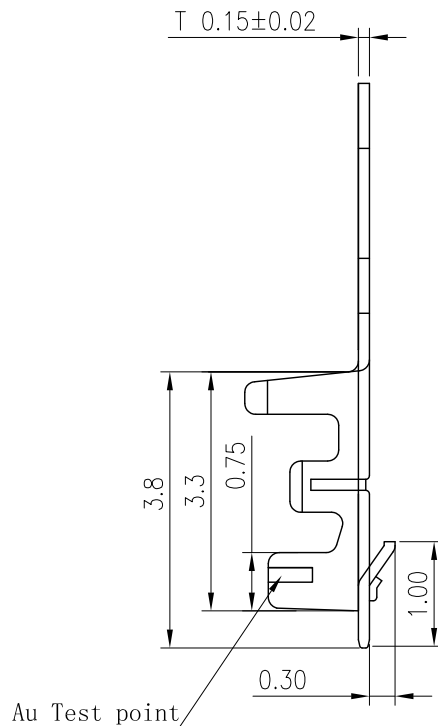
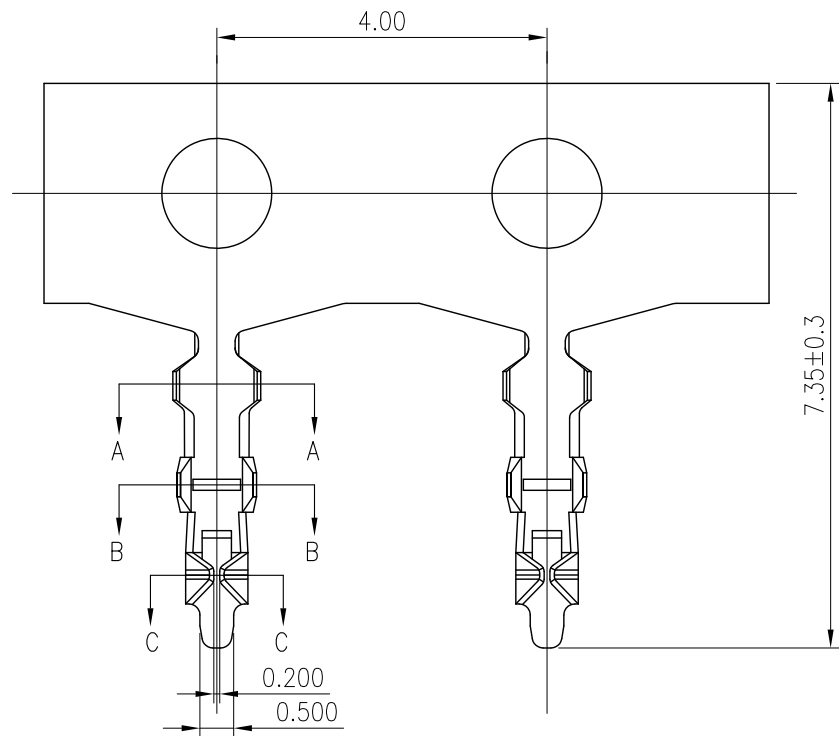
No. of Circuits
205:2*5,220:2*20

Insulator Material
19:PA66 Grey V0

Circuits	Dimensions	
	A	B
2*5	5.00	10.40
2*10	11.25	16.65
2*15	17.50	22.90
2*20	23.75	29.15

MARK	REVISION	DESCRIPTION	SIGNATURE	DATE	TOLERANCE	TITLE:	DRAWN:	CHECKED:	APPROVED:	REV.:	DRAWING NO.:
	1	Uniformly arrange the drawings	Shen	2021.08.31	X.X ±0.30	DF13 Two rows Housing	Shen 2021.08.31				KONNRA 东莞市康瑞电子有限公司 DongGuan Konnra Electronics Co.,Ltd. PART NO.:H12560***1901B REV.:A3 DRAWING NO.:1256H201-B-S
	2	Change the part number and frame format	LJT	2020.04.01	X.XX ±0.20						
	3				X.XXX ±0.10						
	4				Angle ±2°	UNIT:mm	SCALE:N/A	SHEET:1/1	PROJECTION		

RoHS
COMPLIANT



SPECIFICATIONS

1. Current rating: 1A AC, DC
2. Voltage rating: 150V AC,DC
3. Temperature range: -40°C ~ +105°C
4. Insulation resistance: 500MΩ Min.
5. Withstanding voltage: 500V AC/ minute.
6. Contact resistance: 30mΩ Max.

Applicable Wires:

AWG#28~#32

Insulation O.D : 1.00mm MAX

Material: Phosphor Bronze

Finish: Tin or gold Plated over Nickel

Suitable KR1256 series housing

A2 T12560P *** 01A

T01:Sn

G01:All Au

G04:All Au5u"

S00:Material

F		Uniformly arrange the drawings	Shen	2021.08.31	TOLERANCE X.X ±0.30 X.XX ±0.20 X.XXX ±0.10 Angle ±2°	TITLE: DF13 Terminal A Type	DRAWN: <i>Shen 2021.08.31</i>		KONNRA 东莞市康瑞电子有限公司 DongGuan Konnra Electronics Co.,Ltd.		
		Change the part number and frame format	LJT	2020.04.01			CHECKED:		PART NO.: T12560P***01A		
	MARK	REVISION DESCRIPTION	SIGNATURE	DATE	UNIT:mm	SCALE: 1/1	SHEET: 1/1	PROJECTION	REV.: A3	DRAWING NO.: 1256T101-A-S	
	1	2	3	4	5	6	7	8	9		

RoHS
COMPLIANT

SPECIFICATIONS

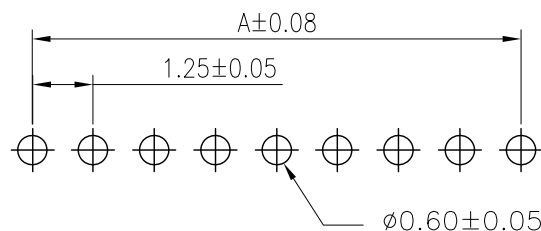
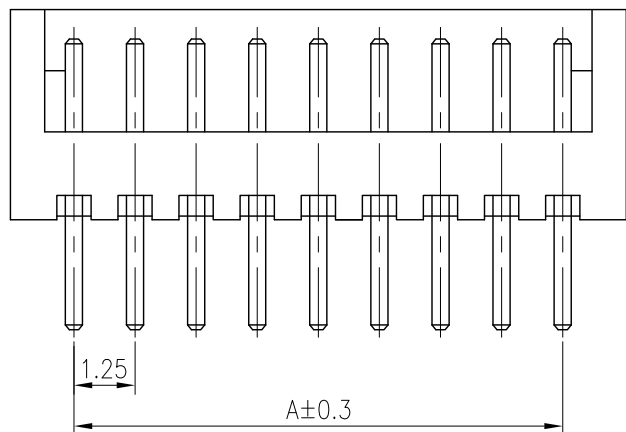
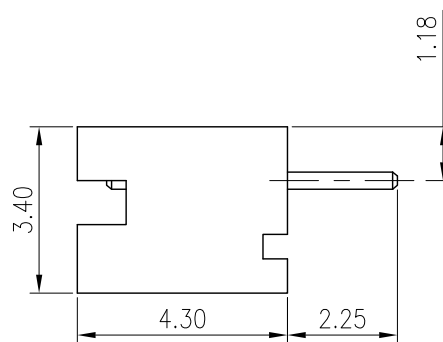
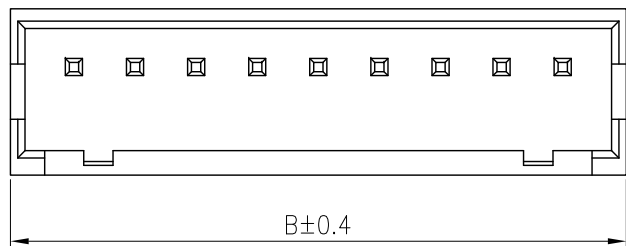
1. Current rating: 1A AC, DC
2. Voltage rating: 150V AC,DC
3. Temperature range: -40°C ~ +105°C
4. Insulation resistance: 500MΩ Min.
5. Withstanding voltage: 500V AC/ minute.
6. Contact resistance: 30m Ω Max.

Material:

Insulator: PA66 UL 94V-0
Contact: Brass
Plating: Tin plated over Nickel
Mate with KR1256 series Housing

C1256VD * 19 T01 01 PA**

No. of Circuits —
102:2P
115:15P



Recommended P.C.B. Layout
Total tolerance:±0.05mm

Circuits	Dimensions	
	A	B
2	1.25	3.75
3	2.50	5.00
4	3.75	6.25
5	5.00	7.50
6	6.25	8.75
7	7.50	10.00
8	8.75	11.25
9	10.00	12.50
10	11.25	13.75
11	12.50	15.00
12	13.75	16.25
13	15.00	17.50
14	16.25	18.75
15	17.50	20.00

F	A3	Uniformly arrange the drawings	Shen	2021.08.31	TOLERANCE X.X ±0.30 X.XX ±0.20 X.XXX ±0.10 Angle ±2°	TITLE: DF13 DIP 180° Wafer		DRAWN: <i>Shen 2021.08.31</i>		KONNRA 东莞市康瑞电子有限公司 DongGuan Konnra Electronics Co.,Ltd.			
		A2	Change the part number and frame format	LJT				2020.04.24	CHECKED:				
	MARK	REVISION DESCRIPTION	SIGNATURE	DATE	UNIT:mm	SCALE:1/1	SHEET:1/1	PROJECTION	REV.:A3	PART NO.:C1256VD***19T0101PA			
	1	2	3	4	5	6	7	8	9	DRAWING NO.:1256WVD101-A-S			

RoHS
COMPLIANT

SPECIFICATIONS

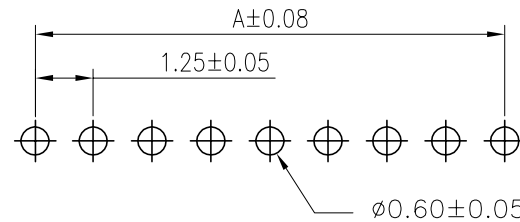
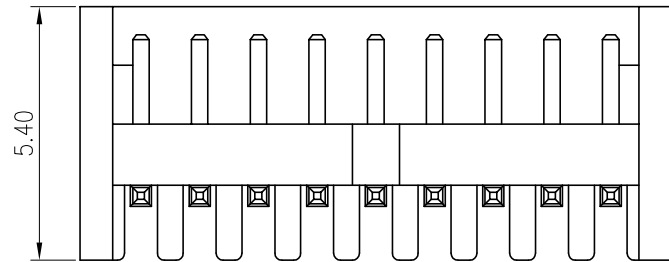
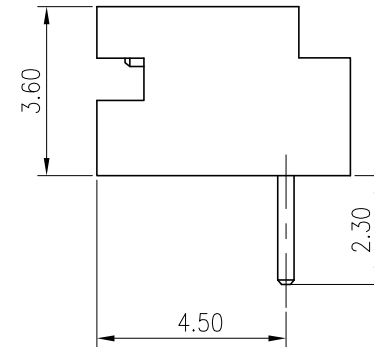
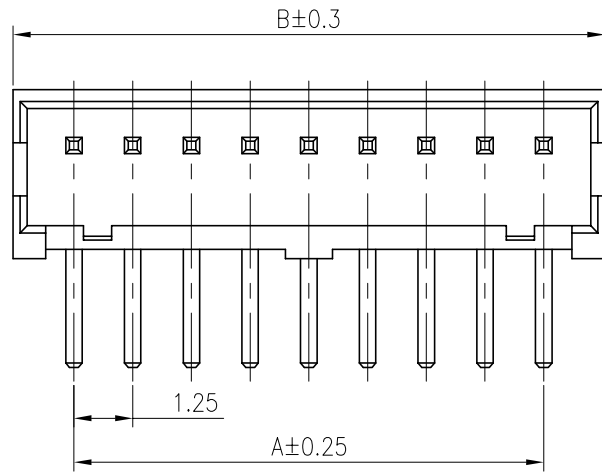
1. Current rating: 1A AC, DC
2. Voltage rating: 150V AC,DC
3. Temperature range: -40°C ~ +105°C
4. Insulation resistance: 500MΩ Min.
5. Withstanding voltage: 500V AC/ minute.
6. Contact resistance: 30m Ω Max.

Material:

Insulator: PA66 UL 94V-0
Contact: Brass
Plating: Tin plated over Nickel
Mate with KR1256 series Housing

C1256RD * 19 T01 01 BA**

No. of Circuits
102:2P
115:15P



Recommended P.C.B. Layout
Total tolerance:±0.05mm

Circuits	Dimensions	
	A	B
2	1.25	3.75
3	2.50	5.00
4	3.75	6.25
5	5.00	7.50
6	6.25	8.75
7	7.50	10.00
8	8.75	11.25
9	10.00	12.50
10	11.25	13.75
11	12.50	15.00
12	13.75	16.25
13	15.00	17.50
14	16.25	18.75
15	17.50	20.00

F		Uniformly arrange the drawings	Shen	2021.08.31	TOLERANCE X. X ±0.30 X. XX ±0.20 X. XXX ±0.10 Angle ±2°	TITLE: DF13 DIP 90° Wafer	DRAWN: Shen 2021.08.31		KONNRA 东莞市康瑞电子有限公司 DongGuan Konnra Electronics Co., Ltd.	
		Change the part number and frame format	LJT	2020.04.24			CHECKED:			
	MARK		REVISION DESCRIPTION	SIGNATURE			DATE	APPROVED:		PART NO. : C1256RD***19T0101BA
	1	2	3	4	UNIT: mm	SCALE: N/A	SHEET: 1/1	PROJECTION	REV. : A3	DRAWING NO. : 1256WRD101-A-S

RoHS
COMPLIANT

SPECIFICATIONS

1. Current rating: 1A AC, DC
2. Voltage rating: 150V AC,DC
3. Temperature range: -40°C ~ +105°C
4. Insulation resistance: 500MΩ Min.
5. Withstanding voltage: 500V AC/ minute.
6. Contact resistance: 30mΩ Max.

Material:

Insulator: PA6T UL 94V-0
Contact: Brass
Plating: Gold flash over Nickel
Mate with KR1256 series Housing

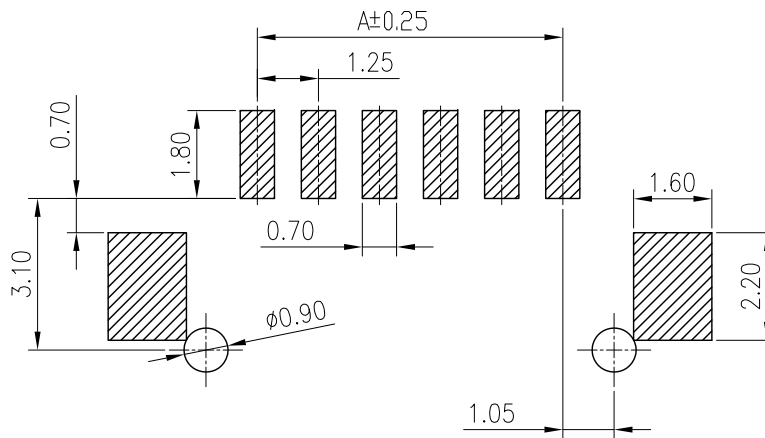
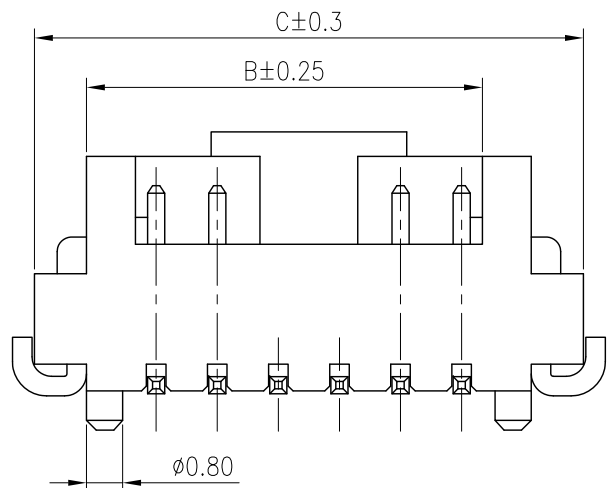
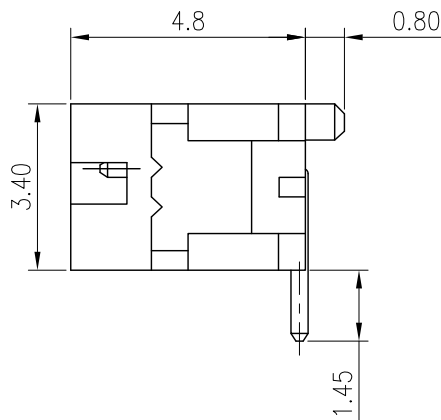
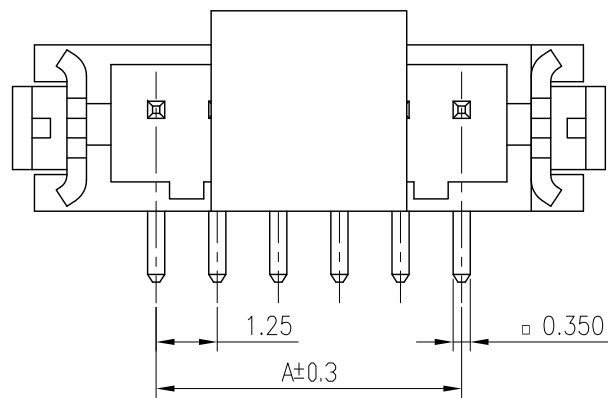
C1256VS *** 09 G01 01 RA

No.of Circuits

102:2P

115:15P

Circuits	Dimensions		
	A	B	C
2	1.25	4.15	6.25
3	2.50	5.40	7.50
4	3.75	6.65	8.75
5	5.00	7.90	10.00
6	6.25	9.15	11.25
7	7.50	10.40	12.50
8	8.75	11.65	13.75
9	10.00	12.90	15.00
10	11.25	14.15	16.25
11	12.50	15.40	17.50
12	13.75	16.65	18.75
13	15.00	17.90	20.00
14	16.25	19.15	21.25
15	17.50	20.40	22.50



Recommended P.C.B. Layout
Total tolerance:±0.05mm

F		Uniformly arrange the drawings	Shen	2021.08.31	TOLERANCE X.X ±0.30 X.XX ±0.20 X.XXX ±0.10 Angle ±2°	TITLE: DF13 SMT 180° Wafer		DRAWN: Shen 2021.08.31		KONNRA 东莞市康瑞电子有限公司 DongGuan Konnra Electronics Co.,Ltd. PART NO.: C1256VS***09G0101RA REV.: A3 DRAWING NO.: 1256WVS101-A-S					
		Change the part number and frame format	LJT	2020.04.24				CHECKED:							
	MARK		REVISION DESCRIPTION	SIGNATURE				DATE	APPROVED:				SHEET: 1/1	PROJECTION	
	1	2	3	4				5	6				7	8	9

RoHS
COMPLIANT

SPECIFICATIONS

1. Current rating: 1A AC, DC
2. Voltage rating: 150V AC,DC
3. Temperature range: -40°C ~ +105°C
4. Insulation resistance: 500MΩ Min.
5. Withstanding voltage: 500V AC/ minute.
6. Contact resistance: 30mΩ Max.

Material:

Insulator: Nylon 6T UL 94V-0

Contact: Brass

Plating: Gold flash over Nickel

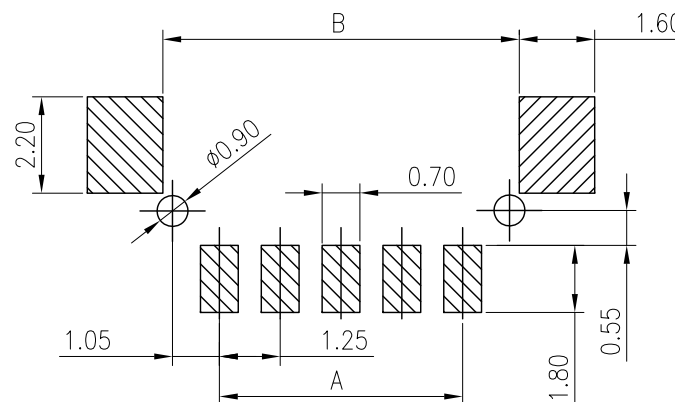
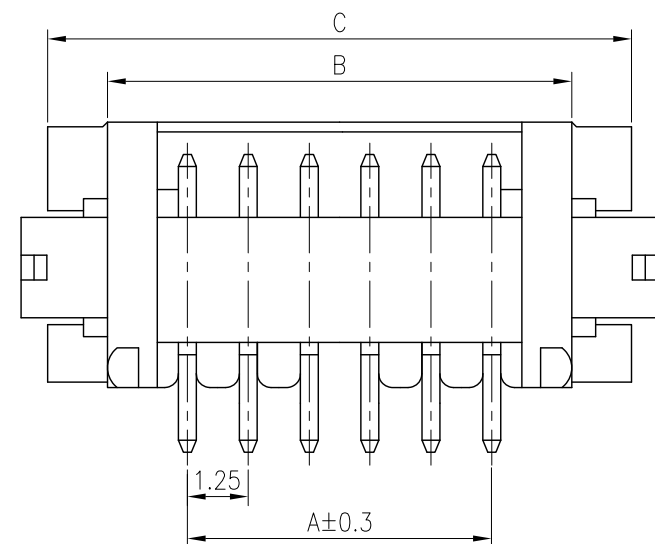
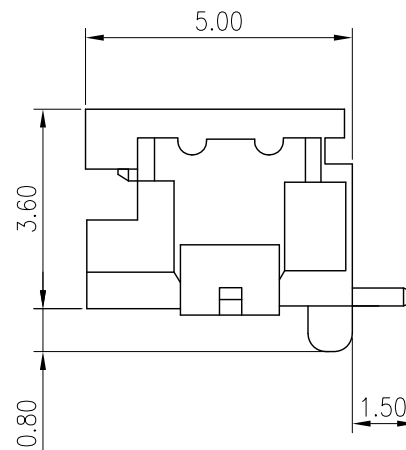
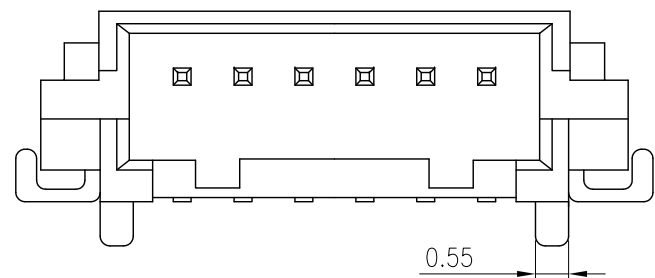
Mate with KR1256 series Housing

C1256VS * 09 G01 01 RA**

No. of Circuits

102:2P

115:15P



Recommended P.C.B. Layout
Total tolerance:±0.05mm

Circuits	Dimensions		
	A	B	C
2	1.25	4.15	6.25
3	2.50	5.40	7.50
4	3.75	6.65	8.75
5	5.00	7.90	10.00
6	6.25	9.15	11.25
7	7.50	10.40	12.50
8	8.75	11.65	13.75
9	10.00	12.90	15.00
10	11.25	14.15	16.25
11	12.50	15.40	17.50
12	13.75	16.65	18.75
13	15.00	17.90	20.00
14	16.25	19.15	21.25
15	17.50	20.40	22.50

F	MARK	REVISION DESCRIPTION	SIGNATURE	DATE	TOLERANCE	TITLE:	DRAWN: <i>Shen 2021.08.31</i>	KONNRA 东莞市康瑞电子有限公司 DongGuan Konnra Electronics Co.,Ltd. PART NO.: C1256RS***09G0101RA REV.: A3 DRAWING NO.: 1256WRS101-A-S
		1	2	3	X.X ±0.30	DF13 SMT 90° Wafer	CHECKED:	
		2	3	4	X.XX ±0.20	UNIT:mm SCALE: 1/1	APPROVED:	
		3	4	5	X.XXX ±0.10	SHEET: 1/1	PROJECTION	
					Angle ±2°			

RoHS
COMPLIANT

SPECIFICATIONS

1. Current rating: 1A AC, DC
2. Voltage rating: 150V AC,DC
3. Temperature range: -40°C ~ +105°C
4. Insulation resistance: 500MΩ Min.
5. Withstanding voltage: 500V AC/ minute.
6. Contact resistance: 30m Ω Max.

Material:

Insulator: PA 6T UL 94V-0

Contact: Brass

Plating: Gold flash over Nickel
Mate with KR1256 series Housing

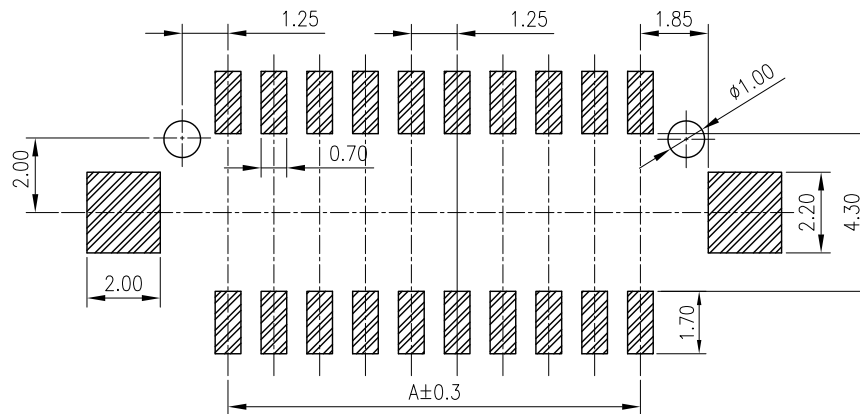
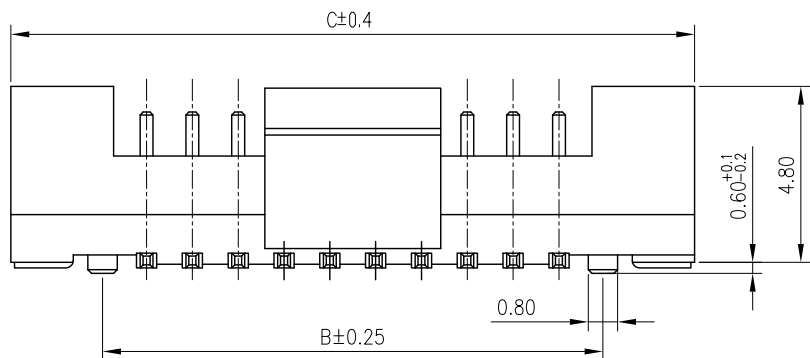
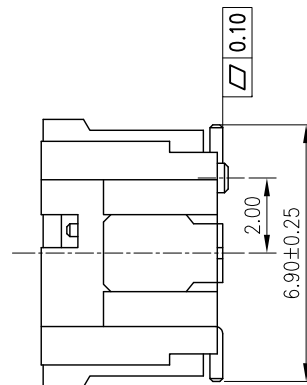
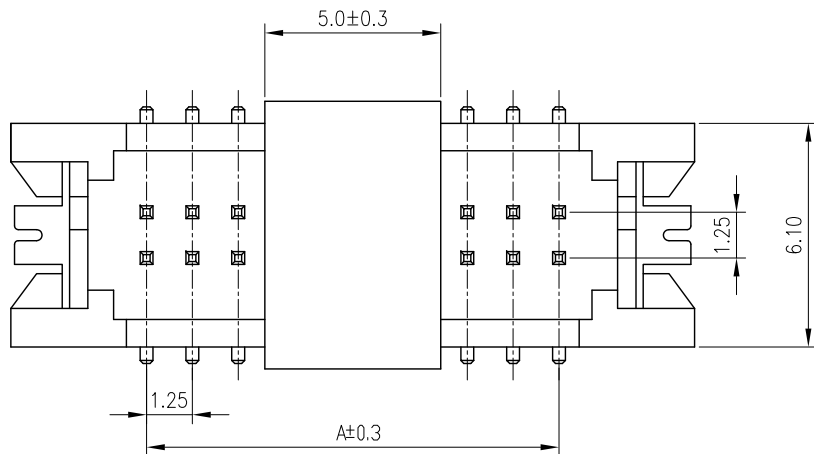
Ordering Code:

C1256VS *** 09 G01 01 RB

No. of Circuits

205:2*5,

220:2*20



Recommended P.C.B. Layout
Total tolerance:±0.05mm

Circuits	Dimensions		
	A	B	C
2*5	5.00	7.50	12.50
2*10	11.25	13.75	18.75
2*15	17.50	20.00	25.00
2*20	23.75	26.25	31.25

F	MARK	REVISION DESCRIPTION	SIGNATURE	DATE	TOLERANCE	TITLE:	DRAWN:	KONNRA 东莞市康瑞电子有限公司 DongGuan Konnra Electronics Co.,Ltd. PART NO.: C1256VS***09G0101RB REV.: A3 DRAWING NO.: 1256WVS201-B-S
			Shen	2021.08.31	X.X ±0.30	DF13 SMT Two rows	Shen 2021.08.31	
			LJT	2020.04.24	X.XX ±0.20	180° Wafer	CHECKED:	
					X.XXX ±0.10		APPROVED:	
				Angle ±2°	UNIT:mm	SCALE: 1/1	SHEET: 1/1	PROJECTION